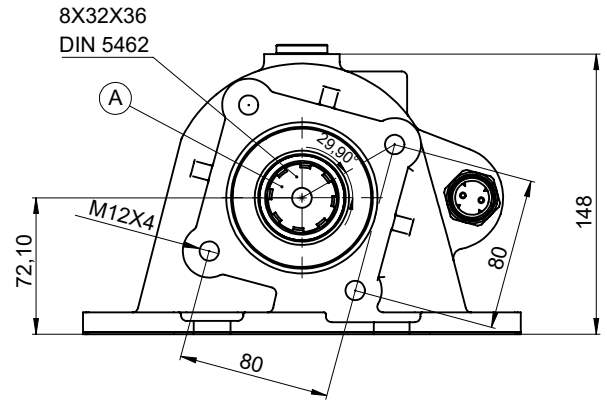
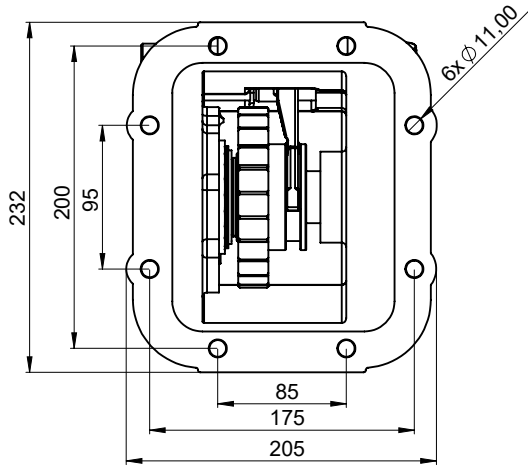
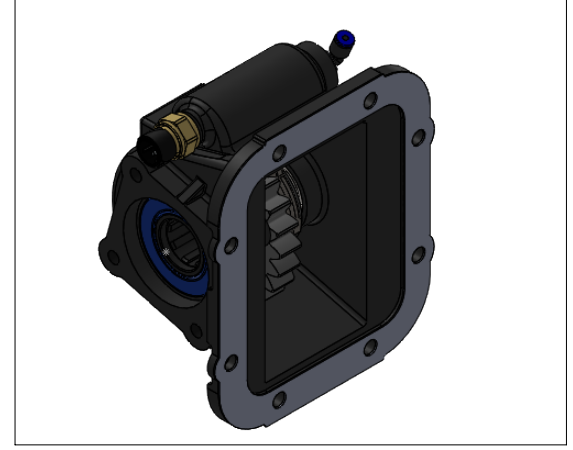
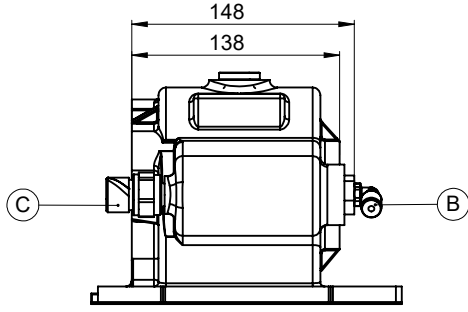


Vehicle Type	HINO
Gearbox Type	M009

Product Code	HN.09.M009
Revision No- Date	01/20.07.2018



Products Views



Component Details

A: PTO Output (Standard DIN 5462 8X32X36 ISO 4 Bolt)
 Direct Mounting UNI 3 Bolt mtg. adapter
 Drive Flange
 B : Air Inlet R 1/4"
 C :Engage-Disengage Sensor (Ops.)

Technical Details

Power	Maximum Torque		Engine to PTO Ratio	Mounting Side	Control Type
	kW	Nm			
42	400	40	1/0,64	Left Side	Pneumatic
				Weight	Sense of Rotation
				13 kg	Same as Input