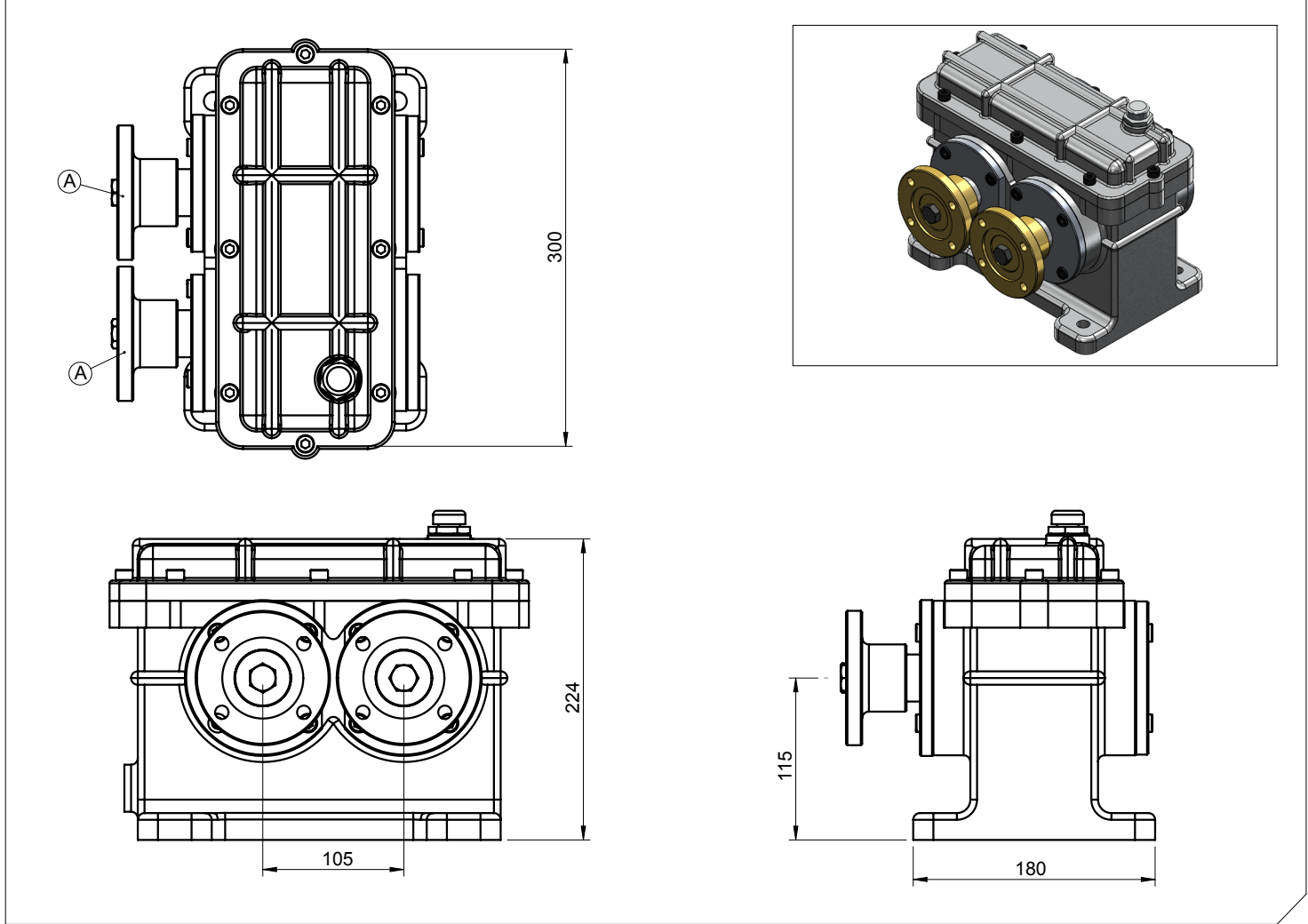


Application Type	Horizontal Usage
Gearbox Type	2 Axis RPM Increaser/Decreaser

Product Code	<b>KRD.02.F.A</b>
--------------	-------------------



### Products Views



### Component Details

A : Reductor Input and Output Flanged (DIN100 6 Bolts)

### Technical Details

Max. Power	Max.Torque		Input/Output	Mounting Type	Sense of Rotation
	kW	Nm			
130	1000	102	1/1	Split Shaft	Opposite of Input
			1/1.42		
			1/1.66		
			1/2.11	Weight	Opposite of Input
			1/2.50		
			1/2.73	36 kg	Opposite of Input
			1/3.08		